

NetWaySP4WPX

4-port Outdoor Hardened PoE Switch with Integral Power

Altronix NetWaySP4WPX Outdoor PoE+ Hardened Switch provides two (2) 1Gb SFP (Fiber) ports and four (4) PoE+ (30W) or two (2) Hi-PoE (60W) ports, passing data for PoE/PoE+/Hi-PoE compliant devices. Cameras/edge devices may be located up to 100m from the unit. Embedded LINQ Technology allows you to monitor, control, and report power and diagnostics from anywhere.



NetWaySP4WPX

Key Features

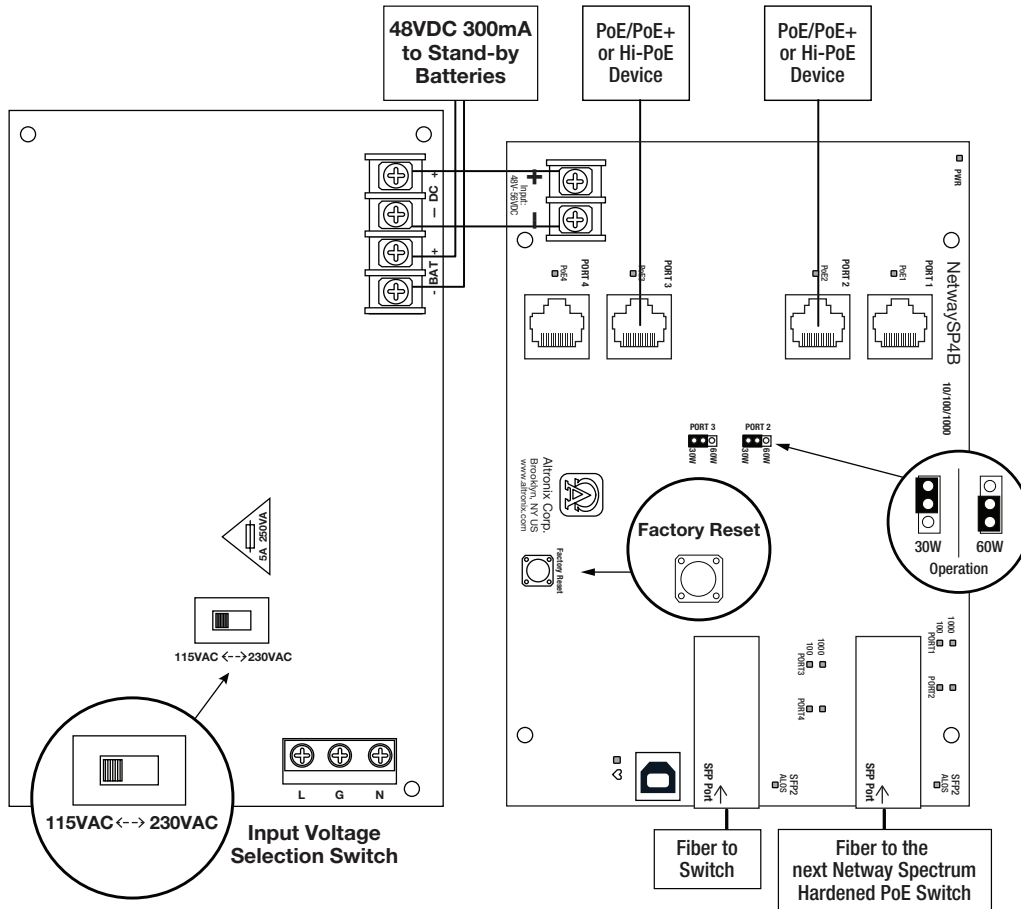
- Two (2) Gigabit SFP ports
- 120W total power:
 - Four (4) PoE/PoE+ (up to 30W) ports or two (2) Hi-PoE (60W) ports
- Four (4) 10/100/1000 Mbps ports
- IEEE 802.3at (30W), IEEE 802.3af (15W) compliant, or Hi-PoE (60W).
- PoE activity LED indicators
- Automatic switch over to stand-by battery when AC fails
- VLAN (Virtual Local Area Networks) subnetwork allows for the grouping together of devices for improved network traffic and higher security
- UL Listed in the U.S. and Canada
- CE European Conformity
- Lifetime Warranty

Similar products

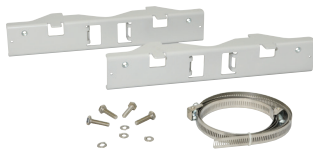
NetWaySP4WP	Outdoor 4-port PoE+ Hardened Switch in NEMA 4/4X, IP66-11 enclosure
NetWaySP4WPN	Outdoor 4-port PoE+ Hardened Switch only in NEMA 4/4X, IP66-11 enclosure
NetWaySP4X	Indoor 4-port PoE+ Hardened Switch in NEMA 1 Rated indoor enclosure
NetWaySP4PL	4-port PoE+ Hardened Switch with Integral Power on a Backplane
NetWaySP4B	4-port PoE+ Hardened Switch (board only)

Lifetime Warranty

Typical Application



Accessories (order separately)



PMK2 - Pole Mount Kit

PMK2 pole mount kit is designed to simplify installation of outdoor units. It accommodates 2"- 8" (diameter) poles.



SFP Modules - Hot pluggable Transceivers

- P1MM** Multi-Mode SFP Module for distances up to 550m.
- P1SM10** Single-Mode SFP Module for distances up to 10km.
- P1AB2K** Single Strand SFP Module for distances up to 2km.
- P1GCE** Copper SFP Module for distances up to 100m.



NetWaySP1A - Ethernet over Fiber Media Converter/Repeater for Applications Requiring an Additional SFP (Fiber) Port

NetWaySP1A PoE powered media converter/repeater converts 10/100/1000 Mbps to Fiber (1000Base-X/SX/LX).

Lifetime Warranty



NetWaySP4WPX

4-port Outdoor Hardened PoE Switch with Integral Power



Specifications

Input

Voltage	115VAC, 60Hz, 2.5A or 230VAC, 50/60Hz, 1.3A
Fusing	5A/250V

Power Output

Maximum Power	Four (4) PoE+ (30W) ports or two (2) Hi-PoE (60W) ports IEEE 802.3at (30W) and IEEE 802.3af (15W) compliant 120W total power Integral surge protection
---------------	---

Fiber Ports: Two (2) Gigabit SFP ports

Ethernet Ports: Four (4) 10/100/1000 Mbps ports
Connectivity: RJ45, auto-crossover
Wire type: 4-pair CAT5 or
better structured cable
Distance: up to 100m
Speed: 10/100/1000 Mbps,
half/full duplex, auto negotiation

Battery Charging

Capacity	12VDC/4AH (4 within enclosure)
Type	Sealed lead acid or gel type
Failover	Upon AC loss, instantaneous
Batteries are sold separately	

Indicators (LED)

Individual PoE On LEDs for each port
Individual IP Link status, 10/100Base-T/active LEDs for
each port
ALOS LED indicates fiber connection for SFP port
Heartbeat LED indicates proper operation of the unit

VLAN:

Multiple management VLAN assignment.
802.1Q Tagged VLAN. Up to 10 VLAN groups. ID Range 2-4095

LINQ Technology:

Remote network management allows for camera/device
reset and monitoring
Provides local and/or remote access to critical information
via LAN/WAN
Email and Windows Dashboard Alert notifications report
real-time diagnostics
Event log tracks history

Agency Listings

UL/cUL	UL60950-1 (Information Technology Equipment) UL60950-22 (Information Technology Equipment to be installed Outdoors)
CE	European Conformity

Physical and Environmental

Dimensions (H x W x D)

Enclosure:	17.53" x 15.3" x 6.67" (445.3mm x 388.6mm x 169.4mm)
Shipping:	21.375" x 14.5" x 9.5" (542.9mm x 374.7mm x 241.3mm)

NEMA 4/4X, IP66-11 Rated enclosure for outdoor use
Accommodates four (4) 12VDC/4AH batteries (48V of backup)

Weight (approx.)

Product:	15 lb. (6.8 kg)
Shipping:	17.5 lb. (7.9 kg)

Temperature

Operating:	
60W:	- 40°C to 75°C (- 40°F to 167°F)
75W:	- 40°C to 70°C (- 40°F to 158°F)
100W:	- 40°C to 55°C (- 40°F to 131°F)
120W:	- 40°C to 45°C (- 40°F to 113°F)
Storage:	- 40°C to 85°C (- 40°F to 185°F)

Relative Humidity 85% +/- 5%

BTU/Hr (approx.) 61 BTU/Hr.

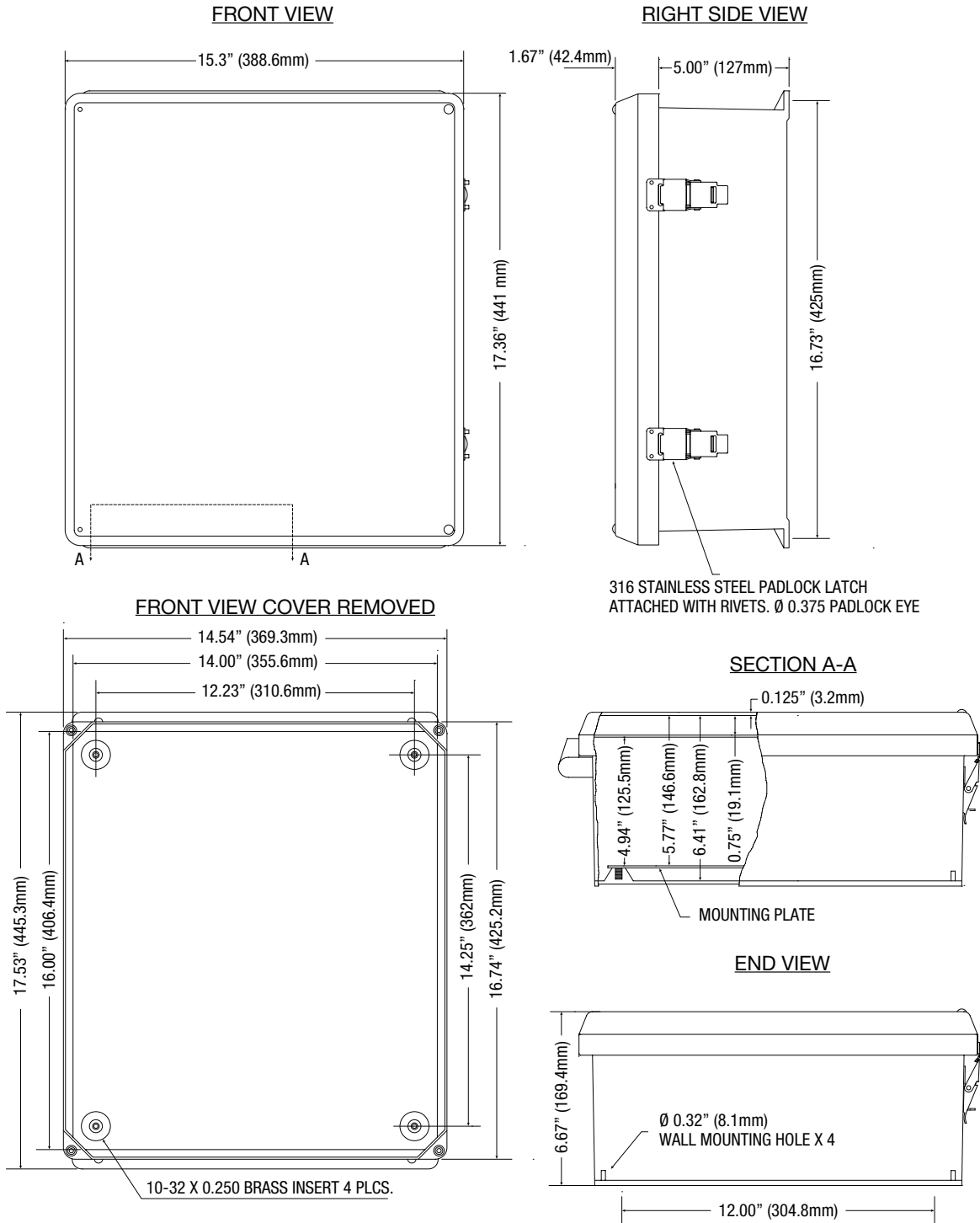
Operating Altitude: - 304.8 to 2,000m

Lifetime Warranty

Dimensions and Drawing

Dimensions (H x W x D approximate)

17.53" x 15.3" x 6.67" (445.3mm x 388.6mm x 169.4mm)



Lifetime Warranty