

TRIVE™

Access & Power Integration



Trove2KA2

- Trove2 enclosure with Altronix/Keyscan backplane (TKA2)

TKA2

- Altronix/Keyscan backplane only

Trove3KA3

- Trove3 enclosure with Altronix/Keyscan backplane (TKA3)

TKA3

- Altronix/Keyscan backplane only

Installation Guide



More than just power.™

All registered trademarks are property of their respective owners.

Rev. TKA042816

Installing Company: _____ Service Rep. Name: _____

Address: _____ Phone #: _____

Overview:

Trove2KA2/Trove3KA3 accommodates various combinations of Keyscan boards with or without Altronix power supplies and accessories for access systems.

Specifications:

Trove2KA2

Trove2 enclosure with TKA2 Altronix/Keyscan backplane

- Includes: tamper switch, cam lock, and mounting hardware.
Enclosure Dimensions (H x W x D):
27.25" x 21.75" x 6.5" (692.2mm x 552.5mm x 165.1mm).

TKA2

Altronix/Keyscan backplane only

- Includes mounting hardware.
Dimensions (H x W x D):
25.375" x 19.375" x 0.3125" (644.5mm x 482.6mm x 7.9mm).

TKA2 accommodates a combination of the following:

Altronix Modules:

- One (1) AL400ULXB2, AL600ULXB, AL1012ULXB, AL1024ULXB2, eFlow4NB, eFlow6NB, eFlow102NB, or eFlow104NB.
- One (1) T16100, ACM4(CB), ACM8(CB), MOM5, PD4UL(CB), PD8UL(CB), PDS8(CB), VR6.

Keyscan Modules:

- One (1) CA250B, CA4500B, CA8500B, one (1) DPS-15, one (1) CIM.
- Two (2) OCB8

Trove3KA3

Trove3 enclosure with TKA3 Altronix/Keyscan backplane

- Includes: (2) tamper switches, cam lock, and mounting hardware.
Enclosure Dimensions (H x W x D):
36.12" x 30.125" x 7.06" (917.5mm x 768.1mm x 179.3mm).

TKA3

Altronix/Keyscan backplane only

- Includes mounting hardware.
Dimensions (H x W x D):
34" x 28" x 0.3125" (863.6mm x 711.2mm x 7.9mm).

TKA3 accommodates a combination of the following:

Altronix Modules:

- One (1) AL400ULXB2, AL600ULXB, AL1012ULXB, AL1024ULXB2, eFlow4NB, eFlow6NB, eFlow102NB, or eFlow104NB.
- One (1) T16100, ACM4(CB), ACM8(CB), MOM5, PD4UL(CB), PD8UL(CB), PDS8(CB), VR6.

Keyscan Modules:

- Two (2) CA250B, CA4500B, CA8500B, two (2) DPS-15, two (2) CIM.
- Four (4) OCB8

Agency Listings:

- UL 294 - 6th edition: Line Security I, Destructive Attack I, Endurance IV, Stand-by Power II*.
*Stand-by Power Level I if no battery is supplied.
- This Class B digital apparatus complies with Canadian ICES-003.
Cet appareil numérique de la classe B est conforme à la norme NMB-003 du Canada.
- CE European Conformity.

Installation Instructions for Trove2/Trove3:

1. Remove backplane from enclosure prior to mounting (do not discard hardware).
2. Mark and predrill holes in the wall to line up with the top keyholes in the enclosure. Install the upper fasteners and screws in the wall with the screw heads protruding. Place the enclosure's upper keyholes over the screws; level and secure. Mark the position of the lower holes. Remove the enclosure. Drill the lower holes and install the fasteners. Place the enclosure's upper keyholes over the upper screws. Install the lower screws and make sure to tighten all screws (*Enclosure Dimensions, pg. 6, 8*).
3. Mount included UL Listed tamper switch (Altronix Model TS112 or equivalent) in desired location, opposite hinge. Slide the tamper switch bracket onto the edge of the enclosure approximately 2" from the right side (*Fig. 1, pg. 2*). Connect tamper switch wiring to the Access Control Panel input or the appropriate UL Listed reporting device.
To activate alarm signal open the door of the enclosure.
4. Mount Altronix/Keyscan boards to backplane, refer to *pages 3, 4*.

Hardware:

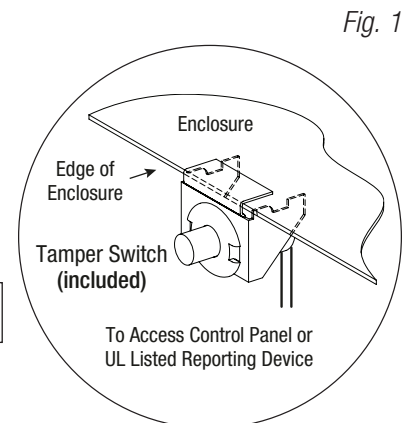
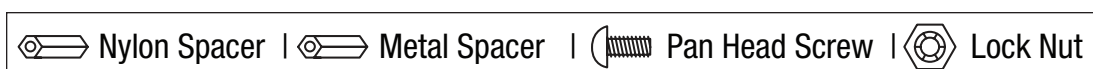


Fig. 1

TKA2: Configuration of Altronix Power Supply and/or Sub-Assembly Boards and Keyscan Boards

1. Fasten metal and snap on spacers (provided) to pems which match the hole pattern for Altronix Power Supply/Chargers or Altronix Sub-Assembly boards (*Fig. 2, 2a, pg. 3*). **Note:** Please fasten metal and snap on spacers in the proper locations (*Fig. 2, pg. 3*).
2. Mount boards to spacers utilizing 5/16" pan head screws (provided) (*Fig. 2, pg. 3*).
3. Mount Altronix T16100 transformer to backplane using two locking nuts (*Fig. 2, pg. 3*).
4. Mount appropriate Keyscan boards into the correct positions (*Fig. 2, pg. 3*) by positioning spacers over appropriate holes on the backplane and depress down on board to secure spacer to the backplane (*Fig. 2b, pg. 3*).
5. Fasten backplane to Trove2 enclosure utilizing pan head screws (provided).

Fig. 2

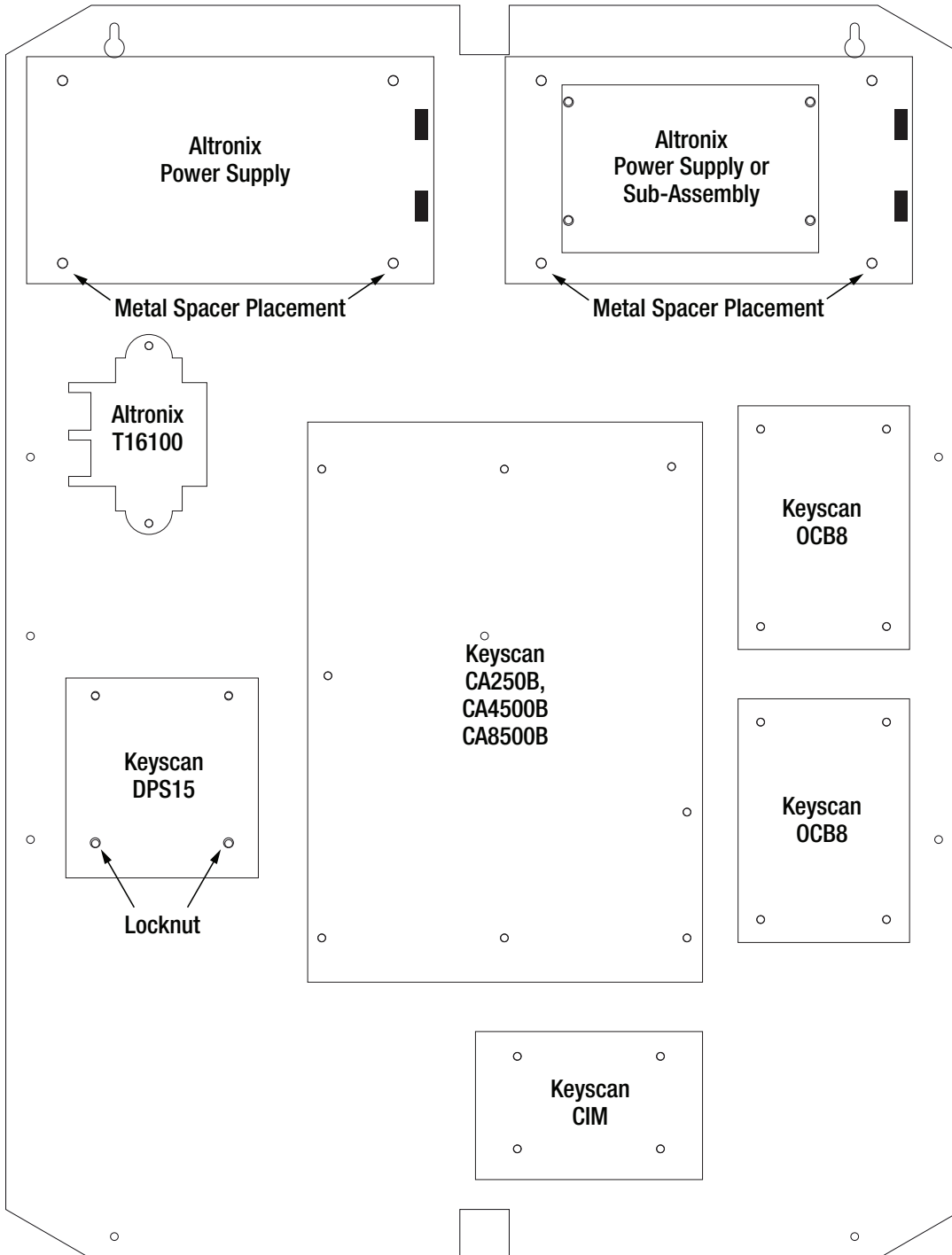


Fig. 2a

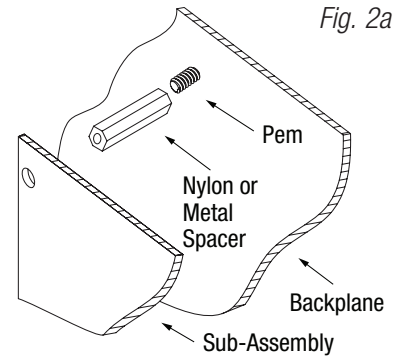
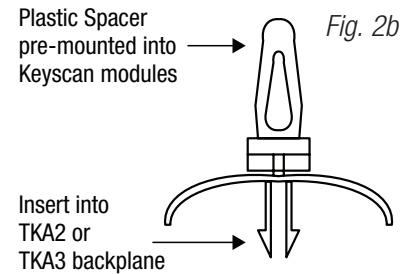


Fig. 2b



TKA3: Configuration of Altronix Power Supply and/or Sub-Assembly Boards and Keyscan Boards

1. Fasten metal and snap on spacers (provided) to pems which match the hole pattern for Altronix Power Supply/Chargers or Altronix Sub-Assembly boards (Fig. 3, 3a, pg. 4). **Note:** Please fasten metal and snap on spacers in the proper locations (Fig. 3, pg. 4).
2. Mount boards to spacers utilizing 5/16" pan head screws (provided) (Fig. 3, pg. 4).
3. Mount Altronix T16175 transformer to backplane using four locking nuts and TKA3BK: tighten top two lock nuts first, then, utilizing the TKA3BK bracket, insert pems through T16175 feet and backplane and tighten locknuts to the pems protruding through the backplane. (Fig. 3b, pg. 4).
4. Mount appropriate Keyscan boards into the correct positions (Fig. 3, pg. 4) by positioning spacers over appropriate holes on the backplane and depress down on board to secure spacer to the backplane (Fig. 3c, pg. 4).
5. Fasten backplane to Trove3 enclosure utilizing pan head screws (provided).

Fig. 3

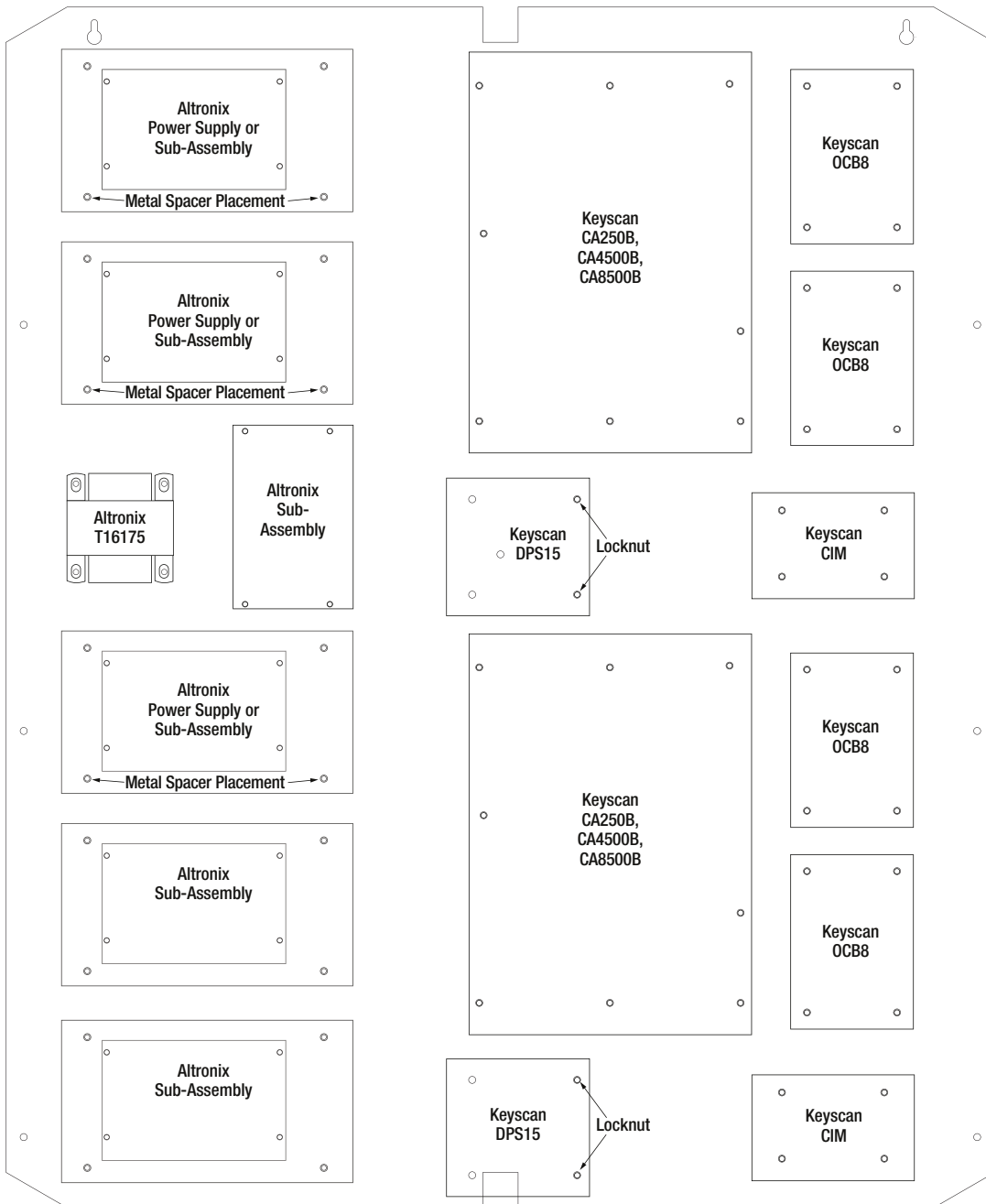


Fig. 3a

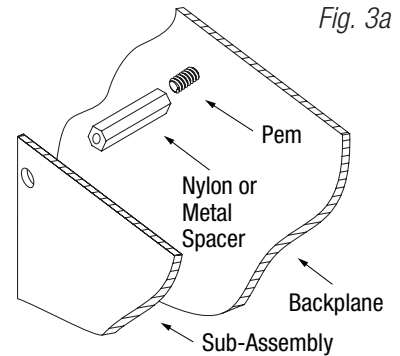


Fig. 3b

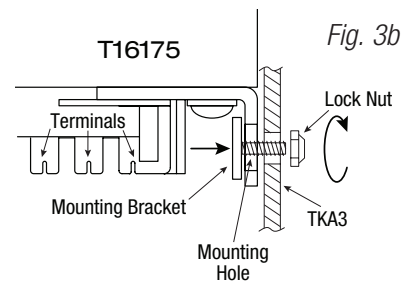
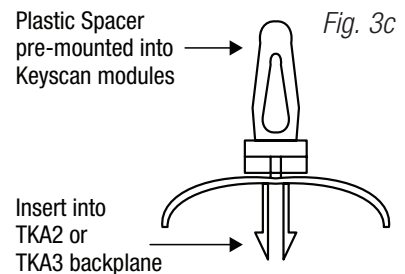
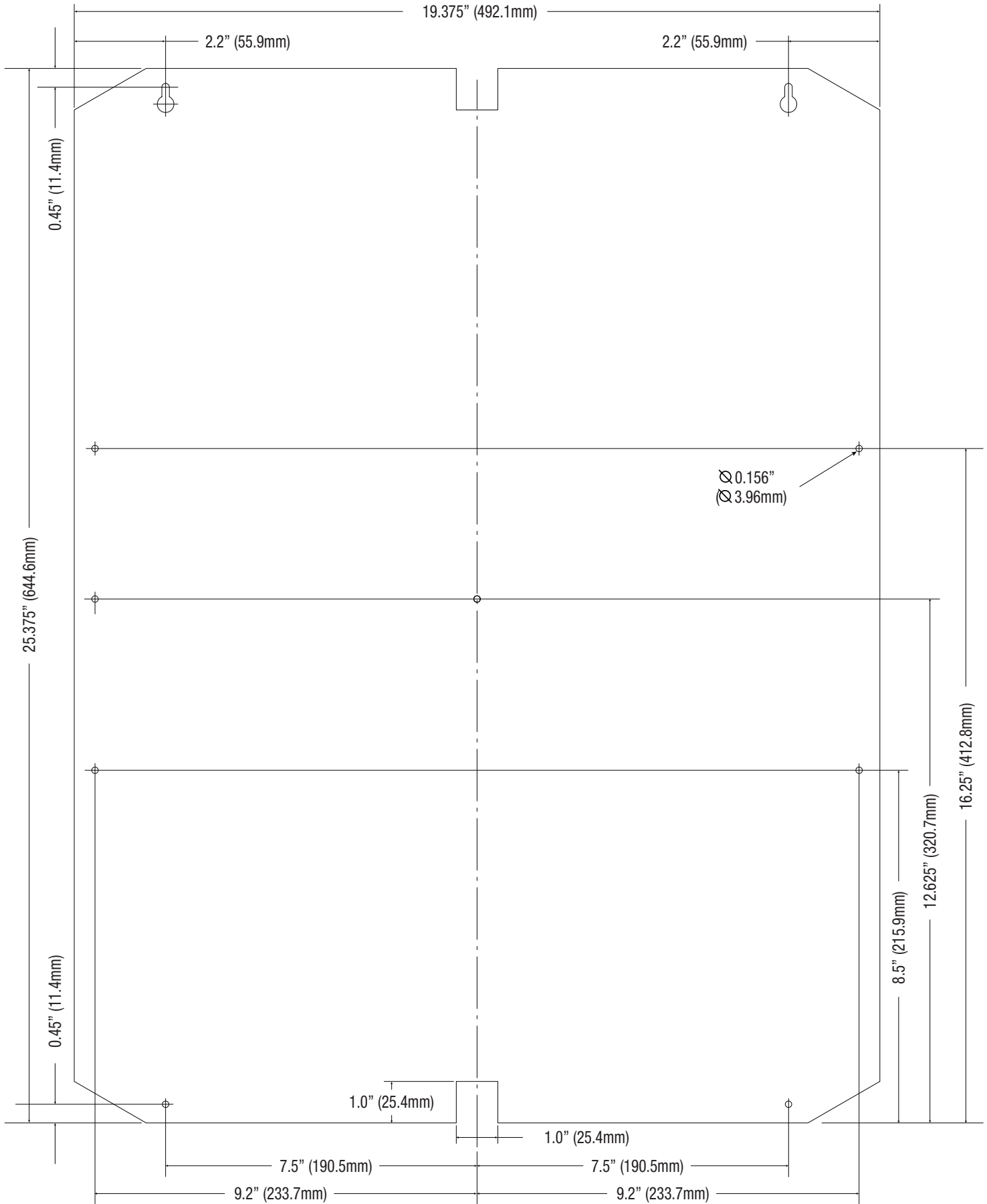


Fig. 3c



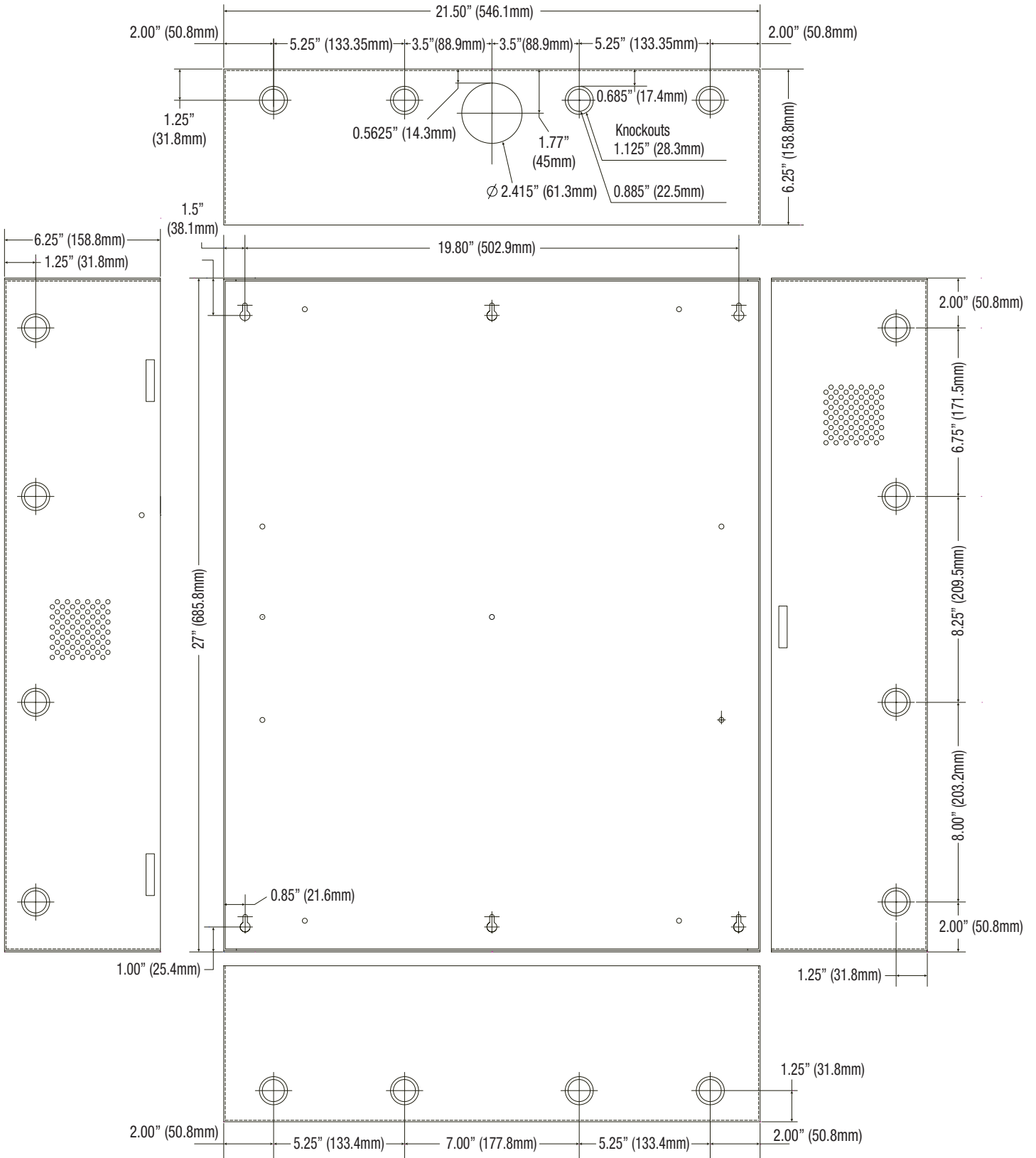
TKA2 Dimensions (H x W x D):

25.375" x 19.375" x 0.3125" (644.6mm x 492.1mm x 7.9mm)



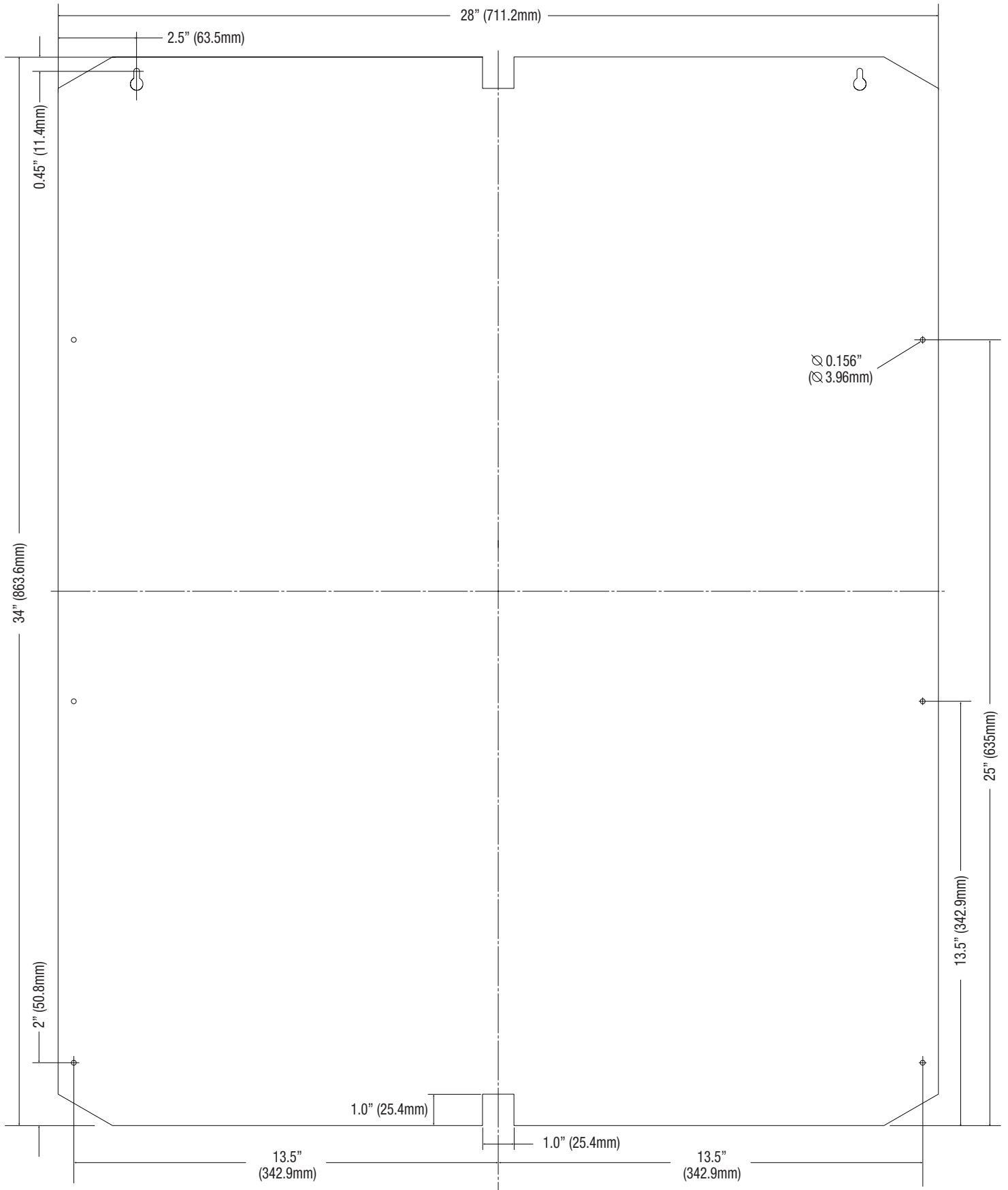
Trove2KA2 Enclosure Dimensions (H x W x D approximate):

27.25" x 21.75" x 6.5" (692.15mm x 546.1mm x 165.1mm)



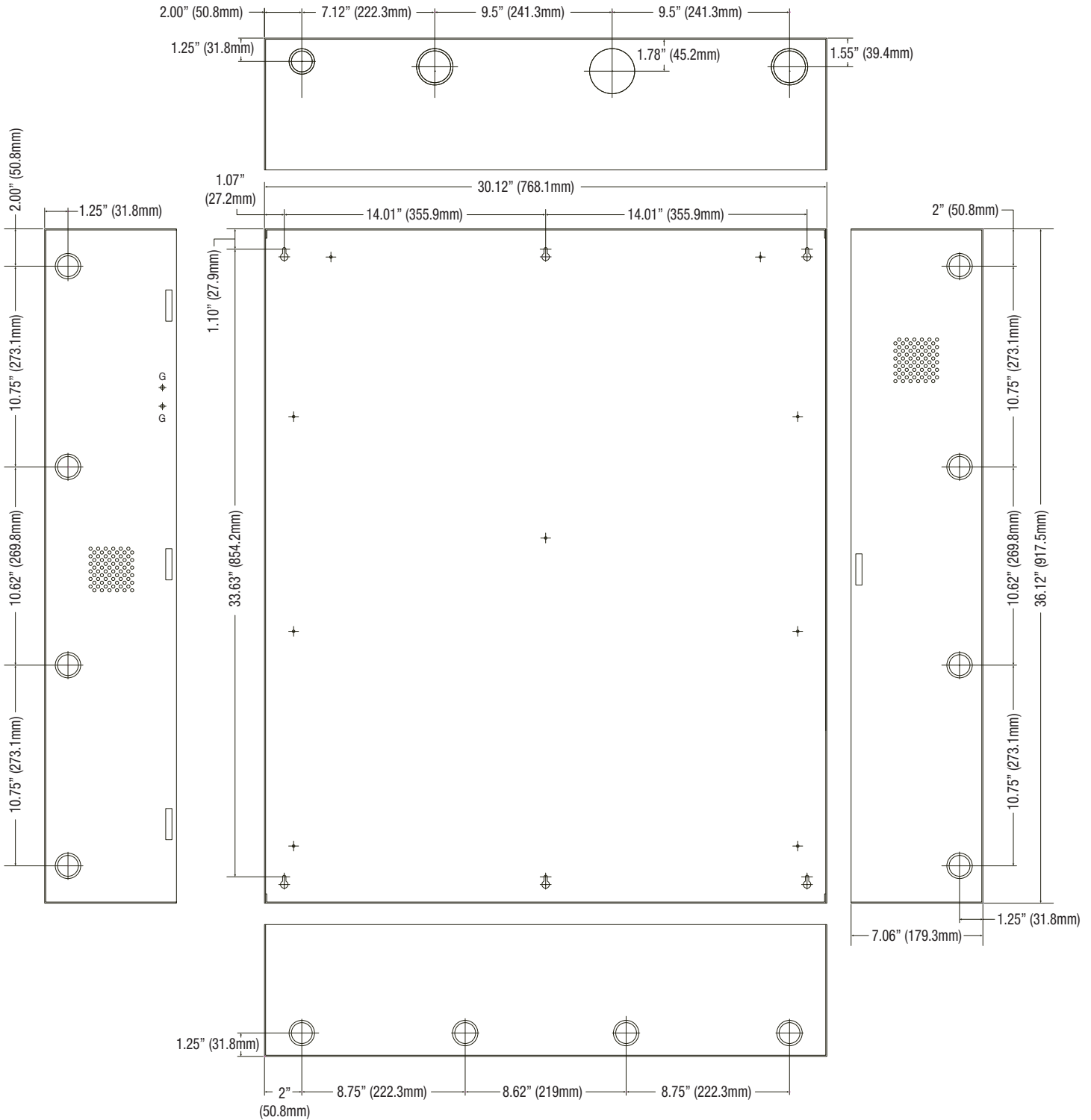
TKA3 Dimensions

34" x 28" x 0.3125" (863.6mm x 711.2mm x 7.9mm)



Trove3KA3 Enclosure Dimensions (H x W x D approximate):

36.12" x 30.125" x 7.06" (917.5mm x 768.1mm x 179.3mm)



Altronix is not responsible for any typographical errors.

140 58th Street, Brooklyn, New York 11220 USA | phone: 718-567-8181 | fax: 718-567-9056

web site: www.altronix.com | e-mail: info@altronix.com

ITTrove2KA2/3KA3

I28U

